



# 4-IN-1™ Utility Clamping System

The most versatile Sliding Arm Clamps in the market.



Ergonomic Comfort Handle with purchase of G / M Rail clamps.

- UM Models:**  
Plastic handle ONLY
- UG Models:**  
Plastic Handle + Cap

Removable / Reversible Clamp Arm

Standard Pad



Replaceable Heavy Duty Pad

Self-aligning

Extender Block

V-Pad



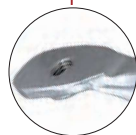
## 4-IN-1 ACCESSORY PACK

The 4-IN-1 Clamp Kit comes complete with the V-Pad and Extender Block accessories.

(See page 40 for details.)

Tapped Hole

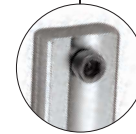
For attaching accessories such as the V-Pad or Extender Block.



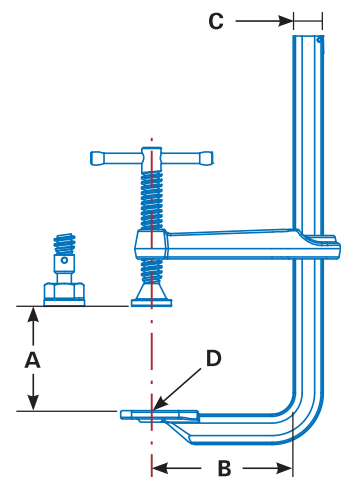
**UE,UF,UG,UM Models:**  
Press the Spring Stop to slide the clamp arm ON & OFF



**UD Models:**  
Remove the Key Ring.



**UP Models:**  
Remove the Screw Stop.



**Optional Slide-on SIDEKICKS**

Mount onto Clamps for the 2<sup>nd</sup> axis clamping.

(See page 40 for details.)

## ONE Clamp... FOUR functions.

The strong, economical 4-IN-1 Utility Clamps adapt to serve four different applications.



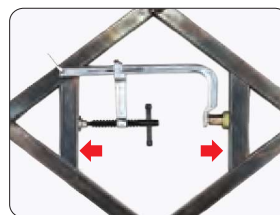
### 1. Standard

Sliding Arm Clamps are 10x faster than a C-Clamp!



### 2. Pipe

Add the exclusive V-Pad to create a Pipe Clamp!



### 3. Spreader

Reverse the clamp arm and create a Spreader Clamp.



### 4. Step-Over

Add the Extender Block to create a Step-Over Clamp.

“

*I've been able to replace my old set of five C-Clamps with my new 4-in-1 Clamp."*

*- Mark T.*



Demo Video

## 4-IN-1™ UTILITY CLAMPING SYSTEM

Part No.	Capacity - A (mm)	Throat Depth - B (mm)	Clamping Pressure (kg)	Pads	Rail Size - C (mm)	Tapped Hole - D	Weight (kg)
UD45M-C3	114	83	230	Standard	16 x 8	M8	0.6
UD65M-C3	165	83	230	Standard	16 x 8	M8	0.7
UF65M-C3	165	120	450	Standard	22 x 11	M10	1.3
UG85M-C3	216	120	550	Standard	25 x 12	M10	1.9
UG125M-C3	318	120	550	Standard	25 x 12	M10	2.1
UG1257M-C3	318	178 <i>*Deep Throat</i>	800	Standard	25 x 12	M10	2.9
UM85PM-C3	215	140	360	Standard	32 x 14	M10	3.0
UM105PM-C3	265	140	1,100	Standard	32 x 14	M10	3.4
UM125M-C3 <i>*BEST SELLER</i>	318	140	1,100	Heavy Duty	32 x 14	M10	3.5
UM165M-C3	419	140	1,100	Heavy Duty	32 x 14	M10	4.0
UM205M-C3	521	140	1,100	Heavy Duty	32 x 14	M10	4.5
UP205M-C3	521	178 <i>*Deep Throat</i>	2,200	Heavy Duty	42 x 19	M10	7.3